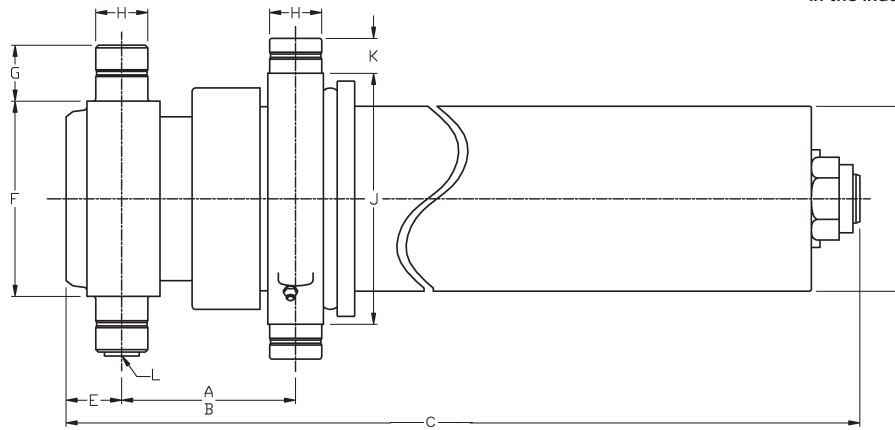




Best warranty
in the industry



Model - Part Number	A (stroke) [in]	B (closed) [in]	C (overall) [in]	D [in]	E [in]	F [in]	G [in]	H [in]	J [in]	K [in]	L [SAE]	M*	N*	Working pressure [psi]	Oil volume [gal (US)]	Weight [lb]
G4 - 5" MODEL (replaces CS 5")																
G4 110-5-3 - PG0501103VM2000	110	5-7/8	52-7/16	6-5/8	2	7	2	1-7/8	9	1-1/4	12	-	-	2750	8.3	312
G4 120-5-3 - PG0501203VM0155	120	6-1/4	57	6-5/8	2	7	2	1-7/8	9	1-1/4	12	-	-	2750	8.8	336
G4 130-5-3 - PG0501303VM0156	129-1/8	6-1/4	57	6-5/8	2	7	2	1-7/8	9	1-1/4	12	-	-	2750	9.2	337
G4 140-5-3 - PG0501403VM0157	139-5/16	6-1/4	60-3/8	6-5/8	2	7	2	1-7/8	9	1-1/4	12	-	-	2750	9.9	355
G4 - 5.7" MODEL (replaces CS 6")																
G4 135-5.7-3 - PG0571353VM0219	133-11/16	7-5/8	59-11/16	7-1/2	2	8	2	2-1/4	10-3/16	1-1/2	16	-	-	2750	13.1	437
G4 150-5.7-4 - PG0571504VM0224	150	7-5/8	57-11/16	7-1/2	2	8	2	2-1/4	10-3/16	1-1/2	16	-	-	2750	13.5	458
G4 160-5.7-4 - PG0571604VM0225	160	7-5/8	57-11/16	7-1/2	2	8	2	2-1/4	10-3/16	1-1/2	16	-	-	2750	13.9	459
G4 170-5.7-4 - PG0571704VM0226	171-15/16	7-5/8	57-11/16	7-1/2	2	8	2	2-1/4	10-3/16	1-1/2	16	-	-	2750	14.5	460
G4 180-5.7-4 - PG0571804VM2001	179-7/16	7-5/8	59-7/16	7-1/2	2	8	2	2-1/4	10-3/16	1-1/2	16	-	-	2750	15.2	472
G4 DOUBLE ACTING - 5" MODEL (replaces CS 5-1/2" DA)																
G4 110-5-3 DA - PGD0501103VM2015	110	6-1/4	58-5/16	6-5/8	2	7	2	1-7/8	9	1-1/4	12	35-1/4	3/8-18	2500	9.2	335
G4 DOUBLE ACTING - 5.7" MODEL (replaces CS 6-1/2" DA)																
G4 150-5.7-4 DA - PGD0571504VM0234	150	7-1/2	59	7-1/2	2	8	2	2-1/4	10-3/16	1-1/2	16	34-11/16	3/8-18	2500	14.4	454
G4 160-5.7-4 DA - PGD0571604VM0229	160	7-1/2	59	7-1/2	2	8	2	2-1/4	10-3/16	1-1/2	16	34-11/16	3/8-18	2500	15.1	455
G4 170-5.7-4 DA - PGD0571704VM0200	170-7/16	7-1/2	59	7-1/2	2	8	2	2-1/4	10-3/16	1-1/2	16	34-11/16	3/8-18	2500	15.6	456

Subject to change without notice

G4DA0320P